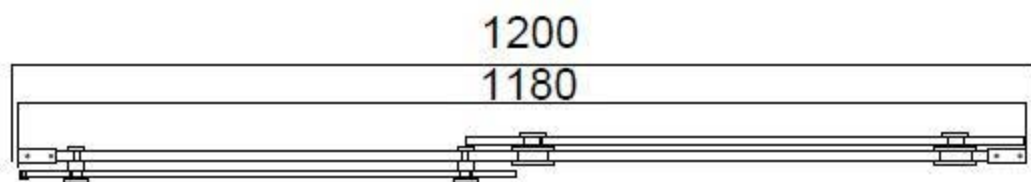
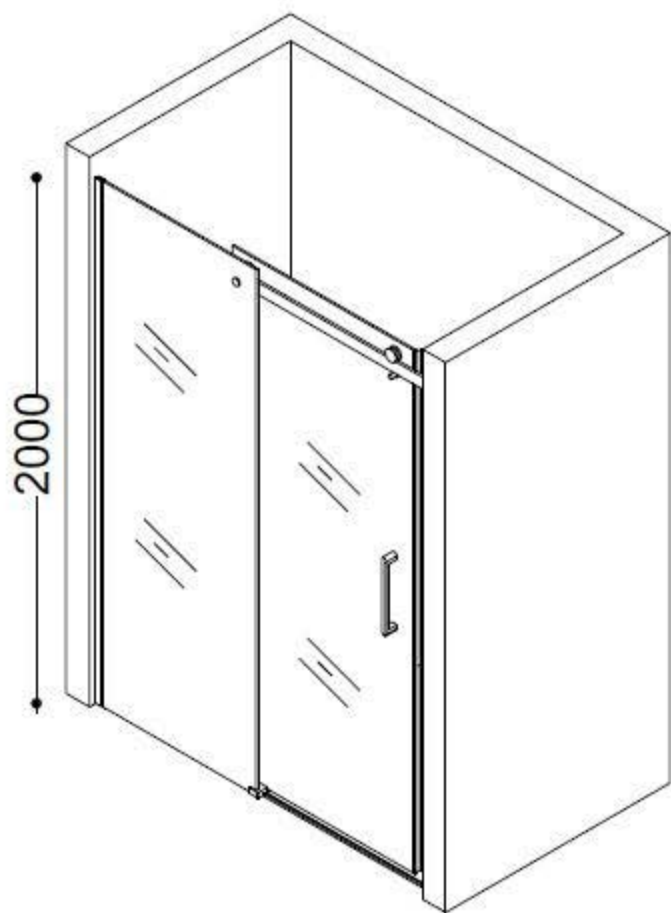
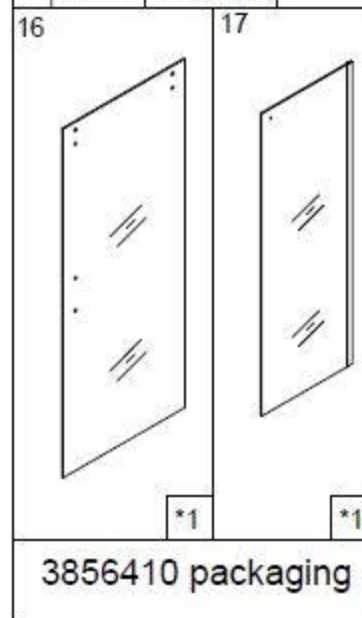


# 3856500



01  1018*1	02  Ø48Wheels*2	03  Square wall sleeve*2	04  *8	05  Anti-jump nail*2	06  Square tube fastener*1
07  D014*1	08  *4	09  H003*1	10  *8	11  4*40	12  5*40
13  S06*1	14  304AAK*1	19  D003*1	18  D017*1		



## Tools for installation

